

CONTENTS

	page
Preface	4
The right choice of a holder	5
Articulated holders FAT (Fine Adjustment Top)	6 - 7
Articulated holders FAB (Fine Adjustment Base)	8 - 9
PH holders FAT	10 - 11
PH holders FAB	12 - 13
Specialty holders	14 - 15
Sets and indicators	16 - 17
Bases	18 - 19
Modular holders	20 - 21
Accessories	22 - 23

holding system

NOGA is proud to present its new line of holding systems.

These state of the art mechanical holders, are divided into two groups, ARTICULATED and PH, both designed to hold dial and test indicators, as well as many other components.

NOGA holders are also used in many other fields such as: machine construction, medical instruments, photography, light, sound and more.

NOGA holders consist of three main parts:
Arms, base and top (See diagram on right).

NOGA ARTICULATED HOLDERS - articulated arms, with central locking mechanism.

NOGA PH HOLDERS - post and arm, with unique 3 points clamp.

Each group of holders consists of four sizes of arms, so you can always find one to suit your needs.

NOGA holders have fine adjustment mechanism, whether it is on the top (FAT), or at the base (FAB).

The plastic fine adjustment and the 2SM are now replaced by our top fine adjustment which is made of metal, and is the only fine adjustment to hold 6mm, 8mm, 3/8", dove tail and back lug.

NOGA SPECIALTY HOLDERS - eight unique individual items. These are Noga well known items.

NOGA SETS - four sets of holders and indicators.

NOGA BASES - eight different magnetic bases from 320 N to 1300 N, a 350 N vacuum base, and five clamps.

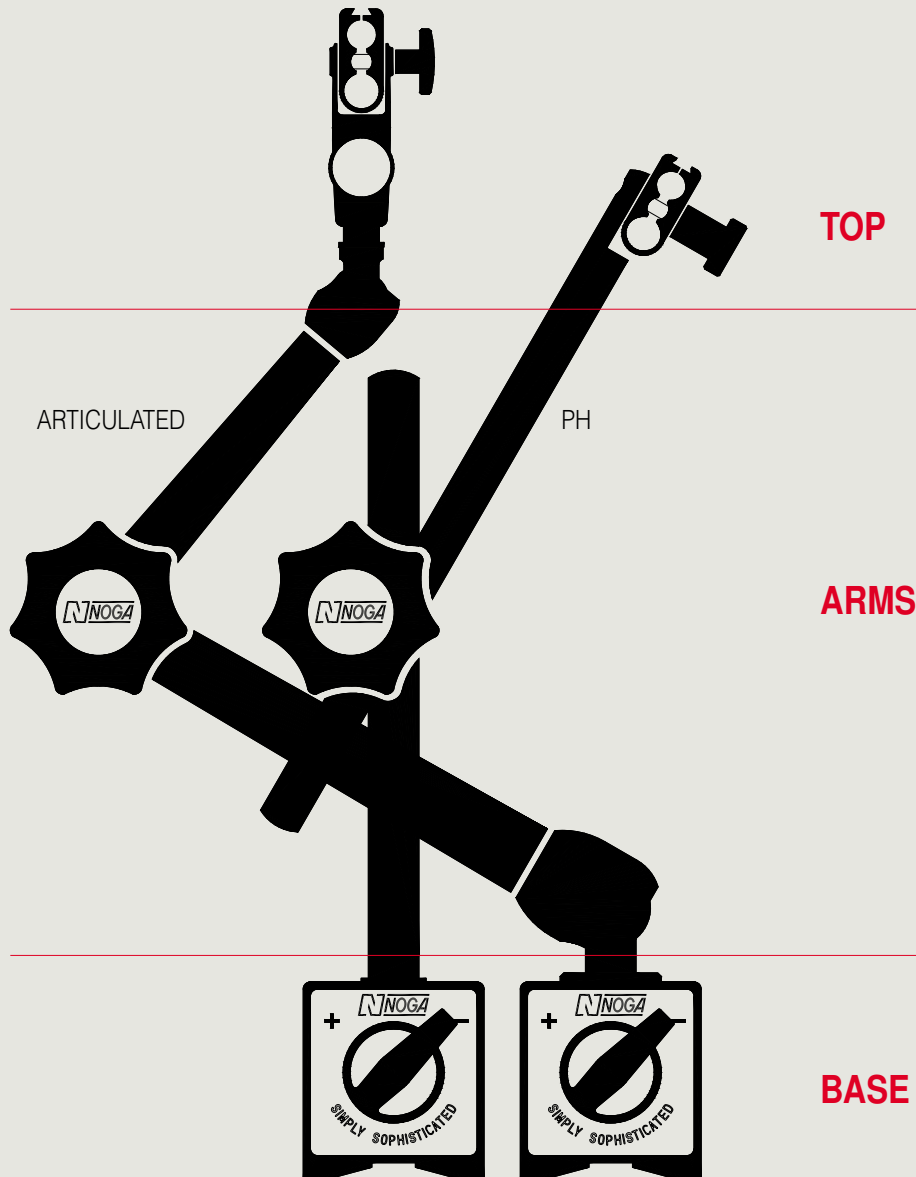
NOGA MODULAR HOLDERS - another useful addition to this catalog is the modular holders section which allows the user almost unlimited range of holding applications.

NOGA Accessories - A variety of accessories are shown. Custom made accessories are available upon request.



THE RIGHT CHOICE OF A HOLDER

- Choose the kind of arms needed, articulated or PH (post holder).
- When zero-setting is very important, use fine adjustment at base (FAB). In all other cases use fine adjustment on top (FAT).
- Decide what kind of base you want. Magnetic, vacuum or others.
- Depending on the type of indicator and job to be inspected, choose either standard clamp or NOGA fine adjustment with unique swivel clamp.
- Consult the relevant section in this catalog to choose the right holder.



holding system



NF61003

DG61003

MG61003

MA61003

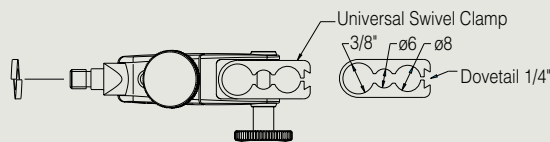
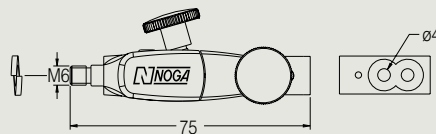
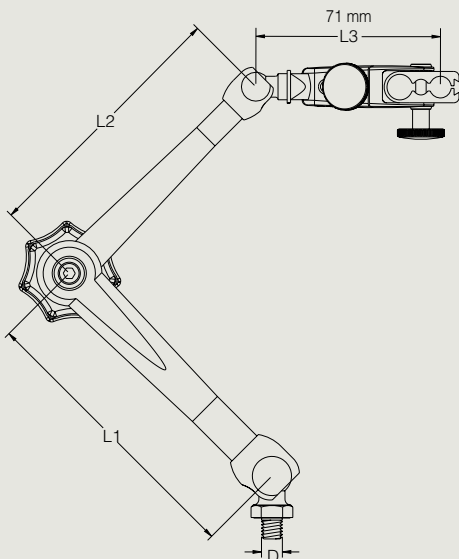


ARTICULATED HOLDERS FAT

NOGA articulated holders with fine adjustment on top

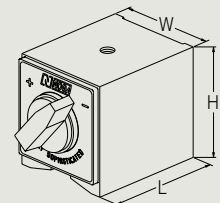
Due to its stability and ease of use, NOGA articulated holder has become the industry most wanted.

- New fine adjustment on top with universal swivel clamp.
- Holds 6mm, 8mm, 3/8", dovetail and back lug.
- Central locking mechanism with NOGA designed spring loaded bearing.
- Five axis holder.
- Powerful on/off magnetic base.
- Instant fixation in any position.
- Fast and easy to set up gauges into required position.
- Black finished arms.



FA1500

FA1510



see page 18

All measurements are in mm unless otherwise mentioned.

Order no.	Holder		Arm length			Magnet			
	Bottom thread	Weight	Bottom arm	Top arm	Total	Force	Dimension		
	D	[Kg]	L1	L2	L1 + L2 + L3	[N]	W	L	H
NF61003	Ext. M5	0.520	56	51	178	320	30	40	35
NF60103	Ext. M5	0.320	56	51	178	-	-	-	-
DG61003	Ext. M8	1.350	110	101	282	800	50	60	55
DG60103	Ext. M8	0.340	110	101	282	-	-	-	-
MG61003	Ext. M8	1.900	133	113	317	800	50	60	55
MG60103	Ext. M8	0.900	133	113	317	-	-	-	-
MA61003	Ext. M10 x 1.25	5.100	326	242	637	1300	50	120	55
MA60103	Ext. M10 x 1.25	3.100	326	242	637	-	-	-	-

holding system



MG10503

DG10503

NF10403

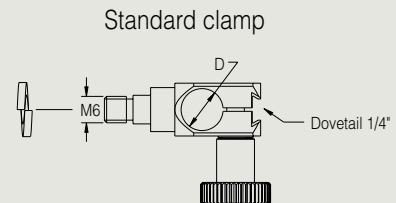
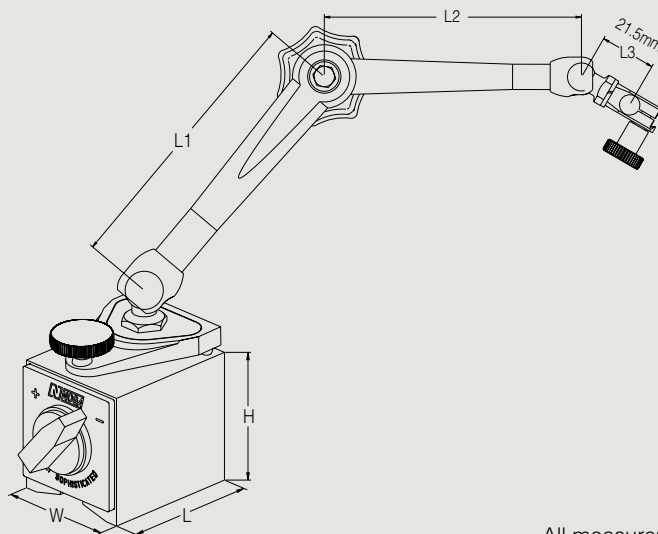


ARTICULATED HOLDERS FAB

NOGA articulated holders with fine adjustment at base

NOGA has developed a unique fine adjustment mechanism which is placed on the magnetic base. This mechanism allows the hand to rest on the base rather than on the clamp of the indicator. Zero-setting becomes faster than with any other mechanism.

- Unique single direction fine adjustment at base.
- Powerful on/off magnetic base.
- Holds 8mm or 3/8" and dovetail.
- Central locking mechanism with NOGA designed spring loaded bearing.
- Five axis holder.
- Instant fixation in any position.
- Easy to set up gauges into required position.
- Black finished arms.



Cat. no. FA1100 Dia 8mm and Cat. no. FA1120 Dia 3/8"

All measurements are in mm unless otherwise mentioned.

Holder		Standard clamp		Arm length			Magnet			
Order no.	Weight [Kg]	Standard clamp D	Order no.	Bottom arm L1	Top arm L2	Total L1 + L2 + L3	Force [N]	Dimension W L H		
NF10403	0.520	8	FA1100	56	51	128.5	320	30	40	35
NF10433	0.520	3/8"	FA1120	56	51	128.5	320	30	40	35
DG10503	1.400	8	FA1100	110	101	232.5	800	50	60	55
DG10533	1.400	3/8"	FA1120	110	101	232.5	800	50	60	55
MG10503	1.900	8	FA1100	133	113	267.5	800	50	60	55
MG10533	1.900	3/8"	FA1120	133	113	267.5	800	50	60	55

holding system



PH6600

PH6800

PH6400

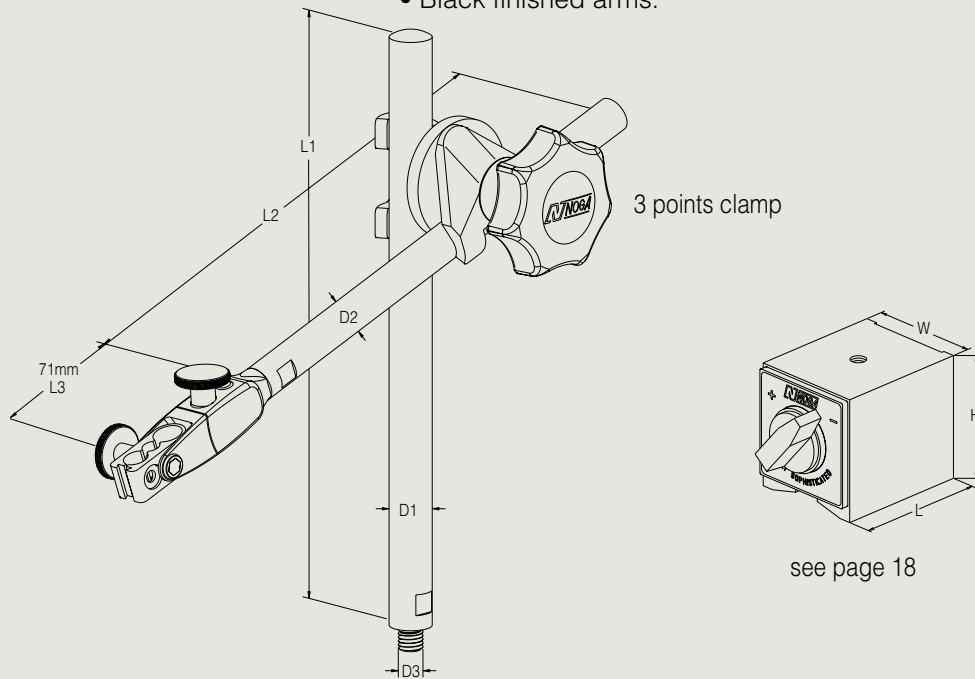


PH HOLDERS FAT

NOGA economical holders with fine adjustment on top

NOGA PH (Post Holder) holders are the latest improvement of the traditional indicator holder.

- New fine adjustment on the top with universal swivel clamp.
- Holds 6mm, 8mm, 3/8", dovetail and back lug.
- Powerful on/off magnetic base.
- Strong arm lock by using 3 points clamp.
- Easy to set up gauges into required position.
- Black finished arms.



see page 18

All measurements are in mm unless otherwise mentioned.

Order no.	Holder		Arm length and diameter		Magnet			3 points clamp Order no.	
	Bottom thread	Weight	Post	Arm	Force	Dimension			
	D3	[Kg]	Dia. (D1) x length (L1)	Dia. (D2) x length (L2)	[N]	W	L	H	
PH6400	M8	1.700	ø14 x 203	ø12 x 185	800	50	60	55	PH0310
PH6410	M8	0.700	ø14 x 203	ø12 x 185	-	-	-	-	PH0310
PH6600	M8	2.300	ø16 x 260	ø16 x 225	1000	50	75	55	PH0312
PH6610	M8	1.070	ø16 x 260	ø16 x 225	-	-	-	-	PH0312
PH6800	M10 x 1.25	3.450	ø18 x 350	ø16 x 225	1300	50	120	55	PH0313
PH6810	M10 x 1.25	1.450	ø18 x 350	ø16 x 225	-	-	-	-	PH0313

holding system



PH3100

PH2040

PH4016

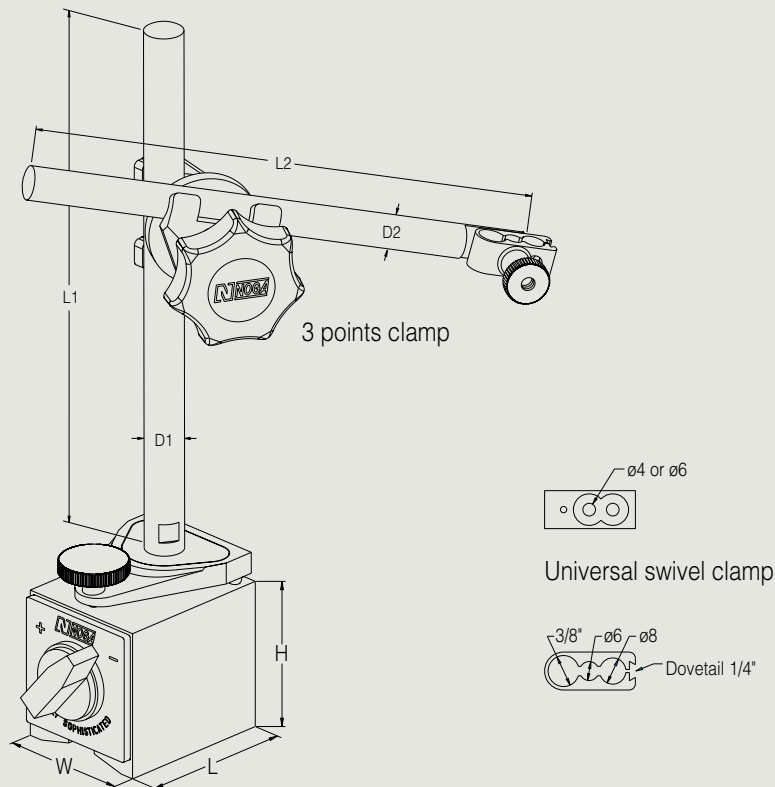


PH HOLDERS FAB

NOGA economical holders with fine adjustment at base

PH holders with NOGA unique fine adjustment at base.

- Single direction fine adjustment at base.
- Powerful on/off magnetic base.
- Universal swivel clamp for all dial and test indicators.
- Holds 6mm, 8mm, 3/8", dovetail and back lug.
- Strong arm lock by using 3 points clamp.
- Easy to set up gauges into required position.
- Black finished arms.



All measurements are in mm unless otherwise mentioned.

Holder		Arm length and diameter		Magnet			3 points clamp	Universal swivel clamp	
Order no.	Weight	Post	Arm	Force	Dimension			Order no.	Order no.
	[Kg]	Dia. (D1) x length (L1)	Dia. (D2) x length (L2)	[N]	W	L	H		
PH3100	0.500	ø 10 x 120	ø 8 x 110	320	30	40	35	PH0315	FA1210
PH2040	1.700	ø 14 x 203	ø 12 x 185	800	50	60	55	PH0310	FA1410
PH4016	2.450	ø 16 x 260	ø 16 x 225	1000	50	70	55	PH0312	FA1410

holding system

NF1015 / NF1018

NF1022



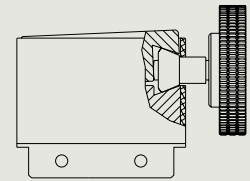


SPECIALTY HOLDERS

In respond to market demand NOGA offers 8 holders with special features.

Order no. Clamp

NF1021	8mm	<ul style="list-style-type: none"> • On/off switchable magnet. • Magnet dimensions - W30 x L40 x H35.
NF1024	3/8"	<ul style="list-style-type: none"> • Magnet force - 320N. • Weight: 0.575 Kg.
NF1030	8mm	<ul style="list-style-type: none"> • Permanent magnet. • Magnet dimensions - W16 x L60 x H32.
NF1033	3/8"	<ul style="list-style-type: none"> • Magnet force - 280N. • Weight: 0.545 Kg.
		<ul style="list-style-type: none"> • 5 axis holder. • 360° fine adjustment at base. • Holds indicator with stem and dovetail. • Central locking mechanism with NOGA designed spring loaded bearing. • Bottom arm - 56mm. • Top arm - 51mm. • Black finished arms.
NF1015	8mm	<ul style="list-style-type: none"> • Used for centering of workpieces.
NF1018	3/8"	<ul style="list-style-type: none"> • Holds indicator with stem or dovetail. • Central locking mechanism with spring loaded bearing. • Bottom arm - 56mm. • Top arm - 51mm. • Centering rod \varnothing 8mm x 40 mm. • Black finished arms. • Weight: 0.345 Kg.
NF1022	universal	<ul style="list-style-type: none"> • Universal fine adjustment, holds: 6mm, 8mm, 3/8", dovetail and back lug.
MG71003	universal	<ul style="list-style-type: none"> • New fine adjustment on top with universal swivel clamp. • Holds 6mm, 8mm, 3/8", dovetail and back lug. • Central locking mechanism with NOGA designed spring loaded bearing. • 5 axis holder. • Powerful on/off magnetic base. • Instant fixation in any position. • Fast and easy to set up gauges into required position. • Black finished arms. • Bottom arm - 163.5 mm. • Top arm - 113 mm. • Bottom thread - Ext. M8. • Magnet force - 800N. • Magnet dimensions - W50 x L60 x H55. • Weight: 1.950 Kg.



360° fine adjustment

holding system

MG6150 Heavy duty holder set

Includes:
MG61003
DG1000



DG6150 Standard holder set

Includes:
DG61003
DG1000



NF6150 Mini holder set

Includes:
NF61003
NF1000 Indicator



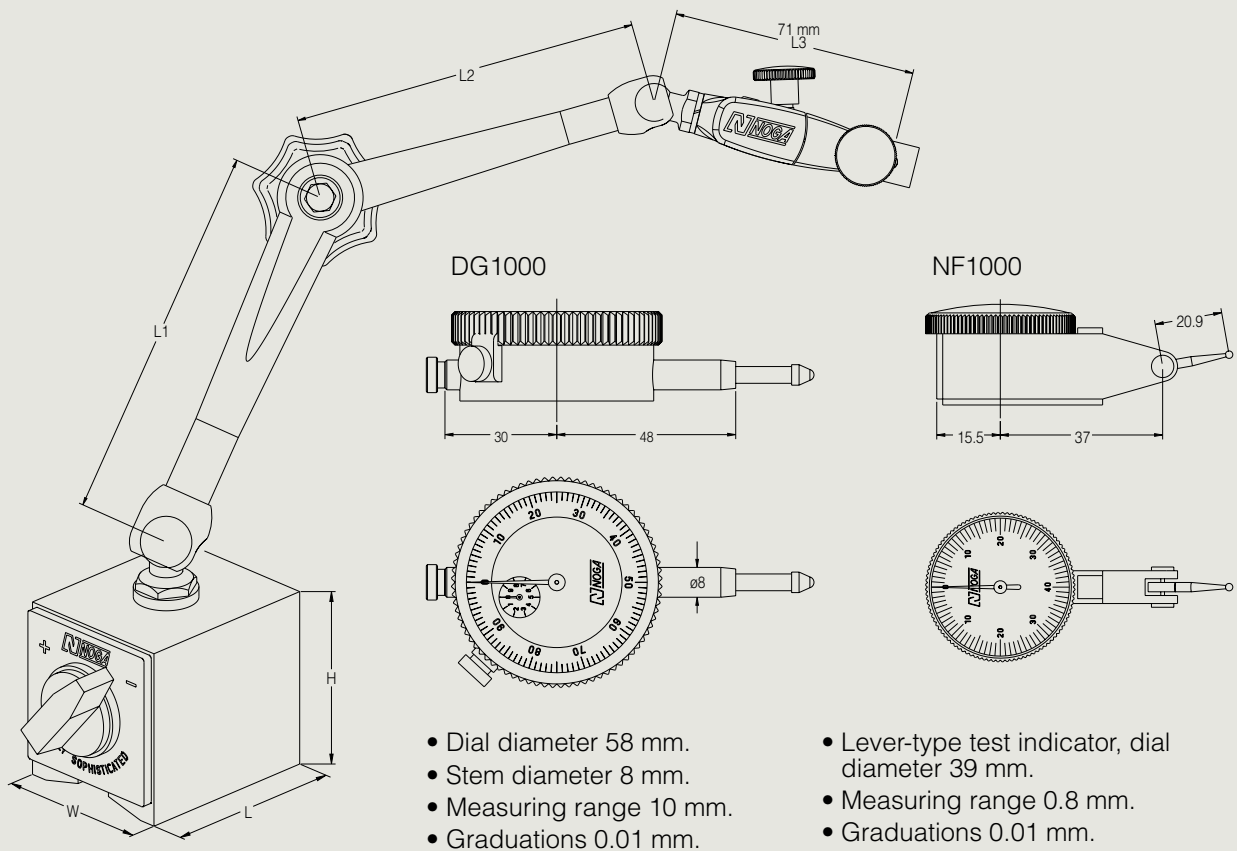
NF1036 Centering set

Includes:
NF1022
NF1000 Indicator



SETS&INDICATORS

NOGA offers four sets combining the most popular holders with the world's best made indicators.



All measurements are in mm unless otherwise mentioned.

Holder			Arm length			Indicators	Magnet		
Order no.	Bottom thread	Weight	Bottom arm	Top arm	Total	Order no.	Dimension		
	D	[Kg]	L1	L2	L1 + L2 + L3		W	L	H
NF6150	Ext. M5	0.600	56	51	178	NF1000	30	40	35
NF1036	-	0.360	56	51	178	NF1000	-	-	-
DG6150	Ext. M8	1.600	110	101	282	DG1000	50	60	55
MG6150	Ext. M8	2.100	133	113	317	DG1000	50	60	55

holding system



DG0039



DG0038



DG0036



NF0037



DG0118



DG3678



NF3778



see page 19



DG0040



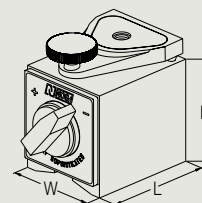
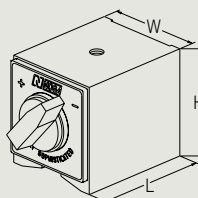
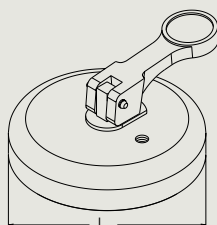
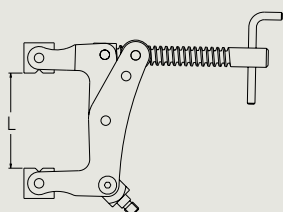
DG1003



BASES

NOGA bases

Eight different magnets ranging from the world's smallest switchable on/off (320N) to a large magnetic base (1300N), a 350N vacuum base and 5 clamps are offered for our customers' choice.



All measurements are in mm unless otherwise mentioned.

Order no.	Type	Weight [Kg]	Force [N]	Thread	W	L	H
NF0037	On/off magnet	0.230	320	M5	30	40	35
NF3778	On/off magnet with fine adj.	0.250	320	M5	30	40	35
DG0036	On/off magnet	1.000	800	M8	50	60	55
DG3678	On/off magnet with fine adj.	1.100	800	M8	50	60	55
DG0038	On/off magnet	1.270	1000	M8	50	75	55
DG0118	On/off magnet with fine adj.	1.380	1000	M8	50	75	55
DG0039	On/off magnet	2.000	1300	M10 x 1.25	50	120	55
DG1003	On/off magnet multi thread	1.350	1000	M6/8/10/12 10 x 1.25	50	75	55
DG0040	Vacuum base	0.400	350	M8	-	∅ 92	-
MA0322	4" clamp	1.150	-	Ext. M10 x 1.25	-	100	-
MA0320	4" clamp	1.160	-	Int. M10 x 1.25	-	100	-
MG1006	3" clamp	0.570	-	Ext. M8	-	75	-
MG1003	3" clamp	0.600	-	Int. M8	-	75	-
MG0125	3" clamp with plastic cover	0.600	-	Int. M8	-	75	-

holding system



NF60003

DG60003

MG60003

MG70003

MA60003



MODULAR HOLDERS

NEW

The smallest and lightest arm in the market.



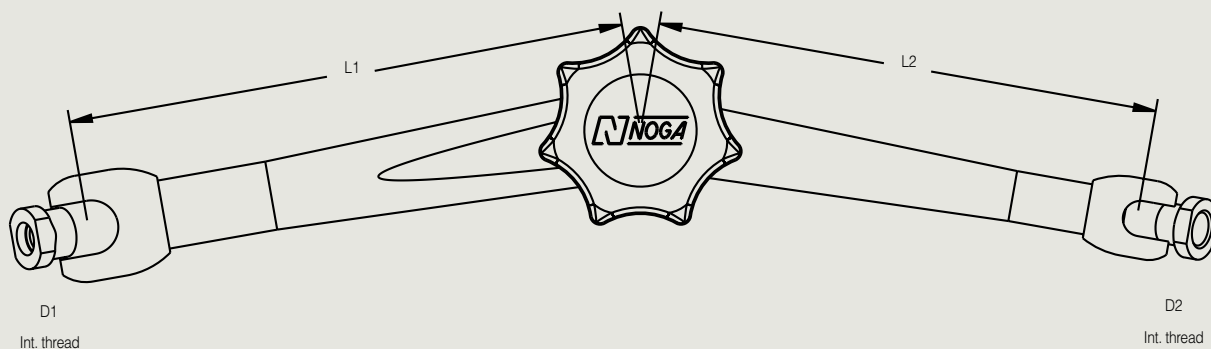
LC60003

Six different sizes of articulated arms are offered for a wide range of applications.

Choose the arms that fit your needs.

A number of accessories are shown on pages 18-19 and 22-23.

Custom-made arms and accessories are available upon request. Minimum quantity 500 pcs.



All measurements are in mm unless otherwise mentioned.


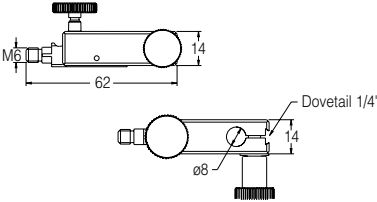

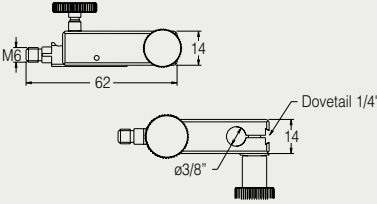

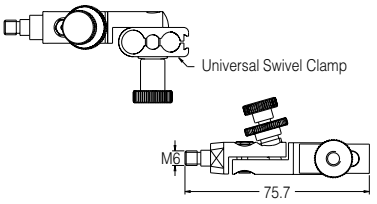

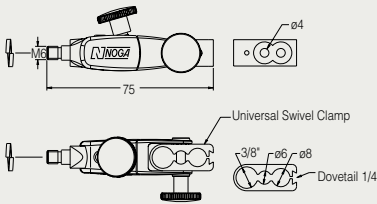
Order no.	Weight [Kg]	Int. thread		Arms length	
		D1	D2	L1	L2
NEW LC60003	0.070	M6	M6	50	50
NF60003	0.210	M6	M6	56	51
DG60003	0.250	M6	M6	110	101
MG60003	0.750	M8	M6	133	113
MG70003	0.800	M8	M6	163	113
MA60003	3.000	M10 x 1.25	M6	326	242

SIMPLY SOPHISTICATED



holding system

Top attachments for dial & test indicators


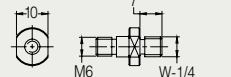

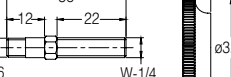

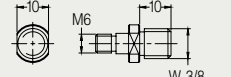

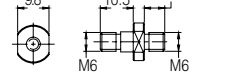

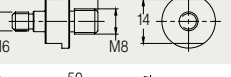

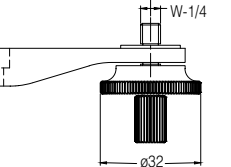
FA1300	M6	PLASTIC F.A. 8mm		
FA1301	M6	PLASTIC F.A. 3/8"		
FA1400	M6	2SM Metal F.A. 6mm, 8mm, 3/8"		
FA1500	M6	Metal F.A. 6mm, 8mm, 3/8"		

Clamps for top attachment


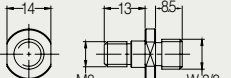

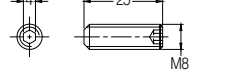
NF0125	M6 EXT.	CLAMP 1"		
DG0125	M6 EXT.	CLAMP 2"		

ACCESSORIES


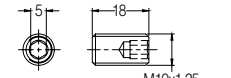

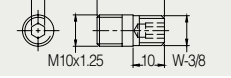

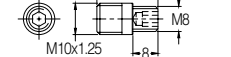
M6 Accessories

AD6010		
AD6013		
AD6030		
AD6060		
AD6080		
MA0125		

M8 Accessories

AD8030		
AD8080		

M10 x 1.25 Accessories




AD1000		
AD1030		
AD1080		

3 Points Clamp



	Dia. Post	Dia. Arm	
PH0315	10	8	For Holder PH3100
PH0310	14	12	For Holders: PH2040 PH6400 PH6410
PH0312	16	16	For Holders: PH4016, PH6400, PH6410
PH0313	18	16	For Holders: PH6800, PH6810



Knobs

DG0160	Knob for NF&DG Holders	
MG1620	Knob for MG Holders	
MA0100	Knob for MA Holders	

Screws

DG0061	M2.5x10	Replacement screw for FA1500.	
NF0049	M2.5x10	Replacement screw for NF10403 & NF10433.	
DG0094	M2.5x10	Replacement screw for DG10503, DG10533, MG10503 & MG10533.	