

Noga Granite Base Stand



NNOGA
simply sophisticated

Granite Base Stand

Over the years the pursuit for higher standards has lead modern industry to perform more rigorous inspections of their products. NOGA Granite Base Stands provide an easy, accuracte and reliable way for you to inspect your products.

NOGA Granite Base Stands are made with high quality hardened granite which provide you with:

- High precision and stability, resistant to distortion, and guarantees accuracy
- No rust or anticorrosion – no need of special maintenance
- Wear resistant - provides you with a long service life
- Non magnetic material
- Flatness $\leq 3 \mu\text{m}$ – Standard DIN 876 Grade 00

NOGA Granite Base Stands come with two options. The first option comes with a choice of NOGA Articulated Holders and the second also comes with a selection NOGA PH (Post Holders). Both options have the fine adjustment on top (FAT) with universal swivel clamp.

Granite Base Stand

INTRODUCTION

1

GRANITE BASE STAND WITH ARTICULATED HOLDERS - FAT

3-4

GRANITE BASE STAND PLATE WITH POST HOLDERS - FAT

5-6

ACCESSORIES

7-8

INDICATORS

7

CLAMPS

8

Granite Base Stand



NOGA Granite Base Stand and articulated holders with fine adjustment on top.

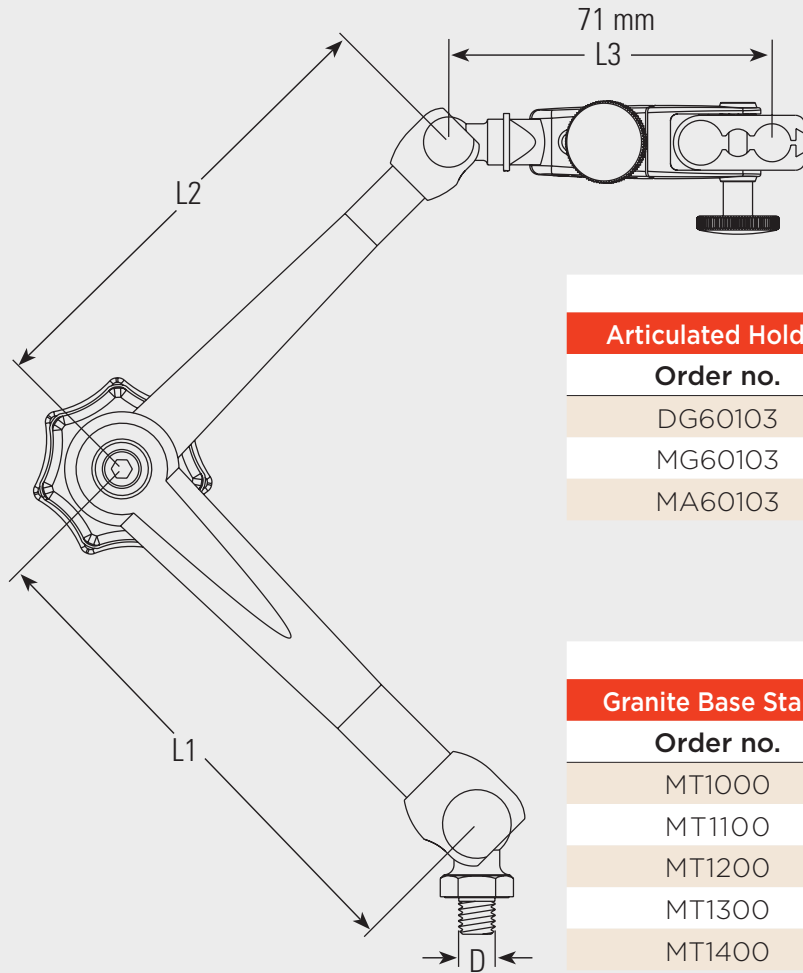
NOGA Granite Base Stands are made with high quality and hardened granite. Due to its stability and ease of use, NOGA's articulated holders have become the most sought-after in the industry.

- Solid 3D articulated holder with central locking system with NOGA designed spring loaded bearing mechanism.
- Fine adjustment on top with universal swivel clamp.
- Holds 6mm, 8mm, 3/8" and dovetail.
- Fast and easy to set up gauges into required position.
- Black finished arms.

Granite Base Stand & Articulated Holder Sets

Set	Granite Base	Articulated Holder	Total Weight
Order no.	Order no.	Order no.	[Kg]
MT2000	MT1000	DG60103	2.670
MT2100	MT1100	MG60103	5.600
MT2200	MT1200	MG60103	6.600
MT2300	MT1300	MA60103	18.700
MT2400	MT1400	MA60103	33.150

Granite Base Stand

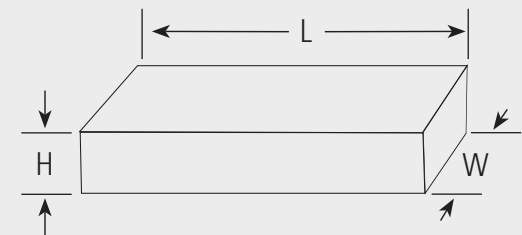


Articulated Holder Dimensions

Articulated Holder	Bottom Arm	Top Arm	Total Length	Bottom Thread
Order no.	L1	L2	L1+L2+L3	D
DG60103	110	101	282	Ext. M8
MG60103	133	113	317	Ext. M8
MA60103	286.50	222.50	580	Ext. M10 x 1.25

Granite Base Stand Dimensions

Granite Base Stand	Length	Width	Height
Order no.	L	W	H
MT1000	150	100	50
MT1100	200	150	50
MT1200	260	140	50
MT1300	400	250	50
MT1400	400	400	60



All measurements are in mm unless otherwise mentioned

Granite Base Stand



NOGA Granite Base Stand and PH (Post Holder) holders with fine adjustment on top.

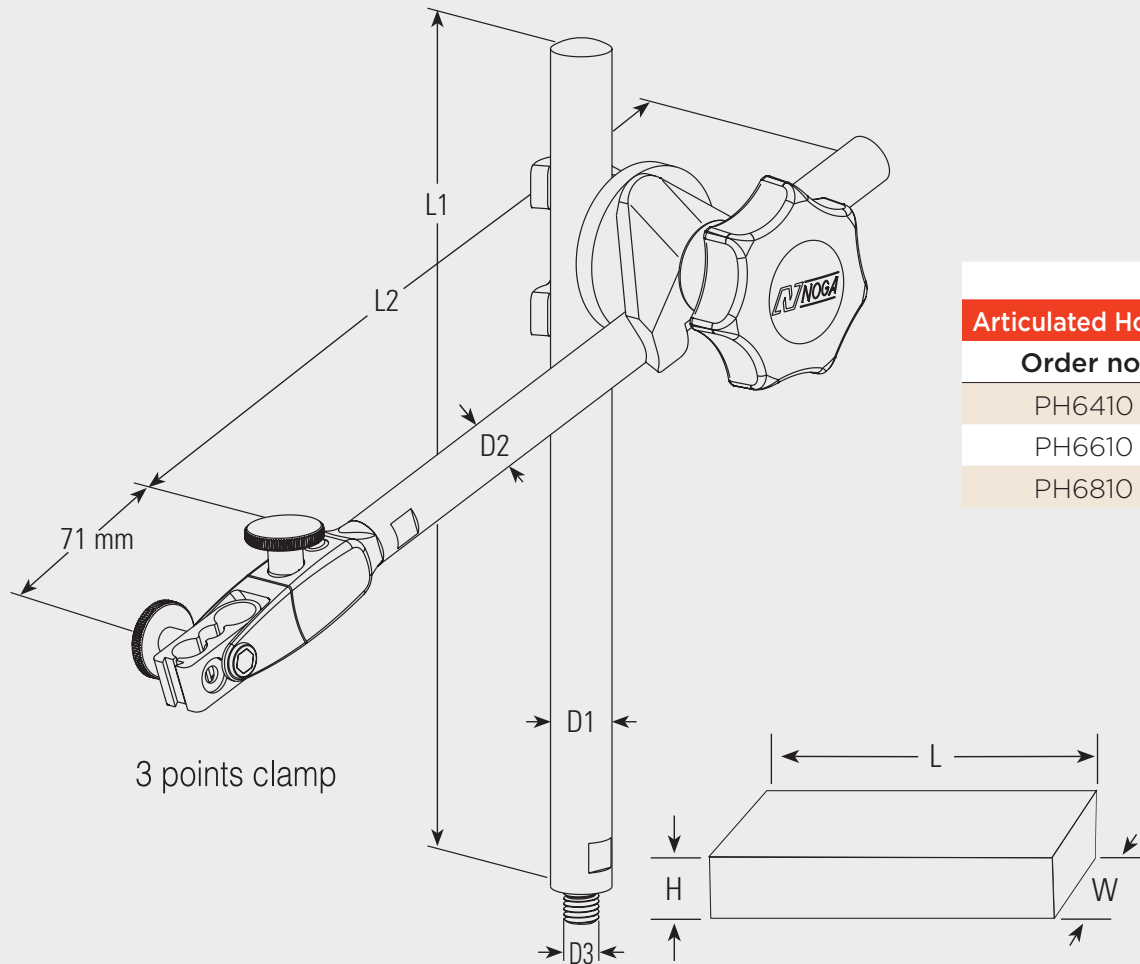
NOGA Granite Base Stands are made with high quality and hardened granite. NOGA PH holders are the latest improvement of the traditional indicator holder.

- Strong holder lock by using 3 points clamps.
- Fine adjustment on top with universal swivel clamp.
- Holds 6mm, 8mm, 3/8" and dovetail.
- Fast and easy to set up gauges into required position.
- Black finished arms.

Granite Base Stand & PH Holder Sets

Set	Granite Plate	PH Holder	Total Weight
Order no.	Order no.	Order no.	[Kg]
MT2010	MT1000	PH6410	3.050
MT2110	MT1100	PH6610	5.770
MT2210	MT1200	PH6610	6.770
MT2310	MT1300	PH6810	17.050
MT2410	MT1400	PH6810	31.500

Granite Base Stand



PH Holder Dimensions

Articulated Holder	Post	Arm	Bottom Thread
Order no.	Dia. (D1) x Length (L1)	Dia. (D2) x Length (L2)	D3
PH6410	Ø 14 x 203	Ø 12 x 185	Ext. M8
PH6610	Ø 16 x 260	Ø 16 x 225	Ext. M8
PH6810	Ø 18 x 350	Ø 16 x 225	Ext. M10 x 1.25

Granite Base Stand Dimensions

Granite Base Stand	Length	Width	Height
Order no.	L	W	H
MT1000	150	100	50
MT1100	200	150	50
MT1200	260	140	50
MT1300	400	250	50
MT1400	400	400	60

All measurements are in mm unless otherwise mentioned

Accessories

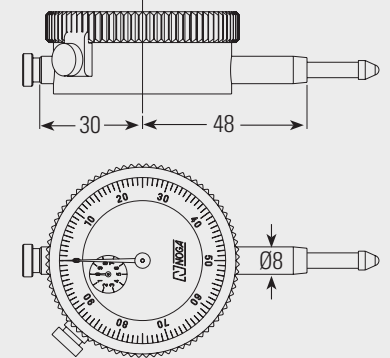
INDICATORS



NOGA top quality indicators.

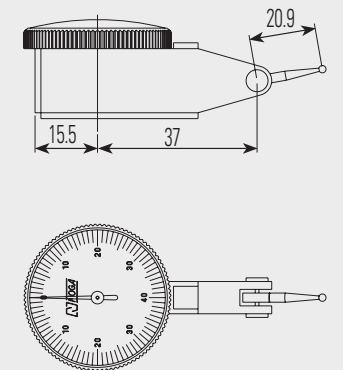
DG1000 - Dial Indicator

- Dial diameter 58 mm
- Stem diameter 8 mm
- Measuring range 10 mm
- Graduations 0.01 mm



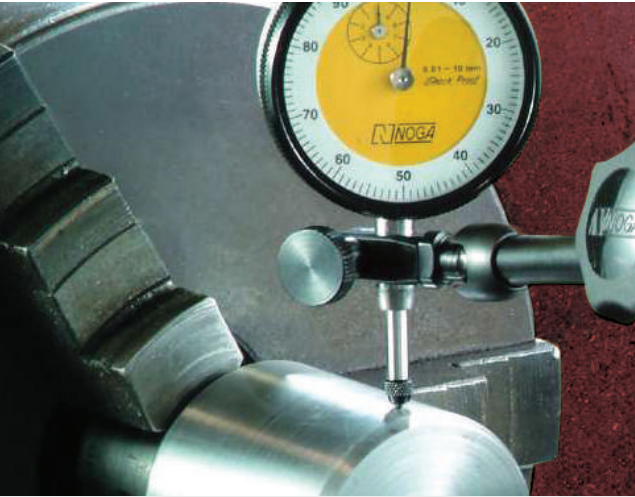
NF1000 - Test Indicator

- Lever-type test indicator, dial diameter 39 mm
- Measuring range 0.8 mm
- Graduations 0.01 mm
- Contact point: 2 mm dia., length: 20.9 mm
- Three dovetails for clamping



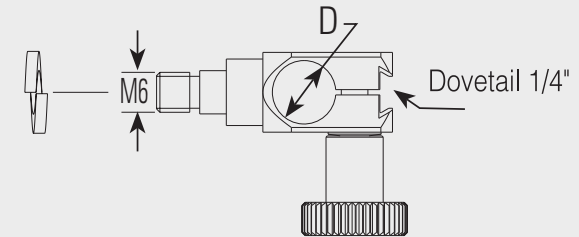
Accessories

CLAMPS



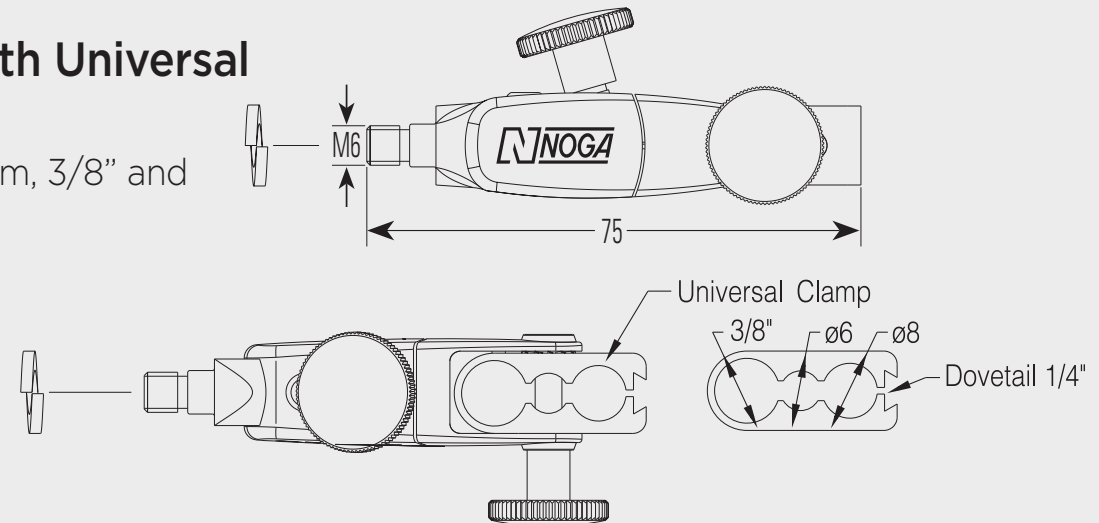
Standard Clamp

FA 1100 holds 8 mm and Dovetail 1/4"
 FA 1120 holds 3/8" and Dovetail 1/4"



Fine Adjustment with Universal Clamp

FA 1500 holds 6 mm, 8 mm, 3/8" and
 Dovetail 1/4"



Base & Holder Carrying Case



NOGA CARRYING CASE for your Granite Base Stand and preferred Holder is made from high quality aluminum with re-inforced corners. Interior made from Pluck & Pull Foam, which allows for easy customization and keeps base and holder snugly in place; comfortable sturdy carry handle.



Index

Noga Engineering & Technology complies with the strict requirements of ISO 9001, ISO 14001 and ISO 13485.

We invite you to visit our web site: www.noga.com for further information.

NOGA reserves the right to make changes in any of its products without prior notice.

© Copyright NOGA Engineering & Technology (2008) Ltd.

All rights reserved. No part of this publication may be reproduced, transcribed, stored in an electronic retrieval system, translated into any language or computer language, or be transmitted in any form whatsoever without the prior written consent of the publisher.

Order No.	Pages
DG1000	7
DG60103	3 - 4
FA1100	8
FA1120	8
FA1500	8
MA60103	3 - 4
MG60103	3 - 4
MT1000	3 - 4 & 5 - 6
MT1100	3 - 4 & 5 - 6
MT1200	3 - 4 & 5 - 6
MT1300	3 - 4 & 5 - 6
MT1400	3 - 4 & 5 - 6
MT2000	3
MT2010	5
MT2100	3
MT2110	5
MT2200	3
MT2210	5
MT2300	3
MT2310	5
MT2400	3
MT2410	5
NF1000	7
PH6410	5 - 6
PH6610	5 - 6
PH6810	5 - 6



Noga Engineering and Technology (2008) Ltd.
P.O.B. 55. Dora Industrial Park
Shlomi 2283200, Israel
Tel: 972-4-9808080
Fax: 972-4-9808638
E-mail: noga@noga.com
www.noga.com